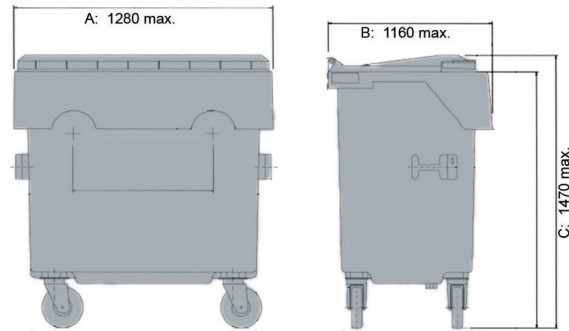




DU Container

1,100 l



Technical data			
External Dimensions L x W x H (mm)	A: 1280 max.	B: 1160 max.	C: 1470 max.
Volume (l)	1100		
Material Body / Material Lid	Sheet metal, galvanized / Sheet metal, galvanized		
Holding Capacity (kg)	 440		
Available colours	-		
Characteristics		Extra equipment / Accessories	
Travelling gear:	Wheel Ø 200, rubber-tired wheels, 4 guide rollers, 2 wheel stops or central locking system	Glass slot	
Receiver:	Diamond receiver	Paper slot	
Prepared for transponder:	Yes	Central locking system	
		Lifting grips	
		DIN-trunnion	
		Foot-operated lid opener	
		Fork-lift pockets	
		Oil-sealed welding (sheet metal)	
Loading quantities (Pcs / Approximate amount)			
On request			
Labelling			
On the lid, on the body			

*1 All specifications quoted are subject to change. Craemer reserve the right to make changes to product design and specification.

*2 Extra equipment, accessories, as well as other colors are available at extra cost and on request.