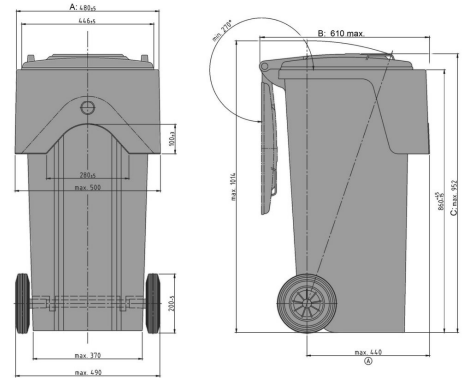



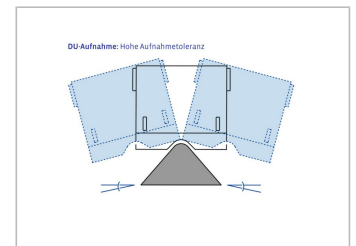
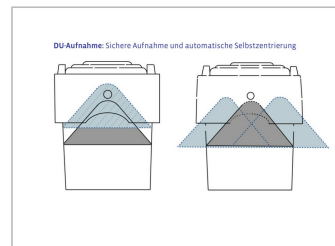


DU Container

120 |



Technical data			
External Dimensions L x W x H (mm)	A: 480 ±5	B: 610 max.	C: 952 max.
Volume (l)	120		
Material Body / Material Lid	HDPE / HDPE		
Holding Capacity (kg)	 48		
Available colours	grau, green, braun, blue, yellow, red		
Characteristics		Extra equipment / Accessories	
Container corresponds to:	DIN 30760, Directive 2000/14/EG	Automatic lock	
Travelling gear:	Wheel Ø 200 (DU360: 250), rubber-tired wheels, wheel axle from tempered, galvanized steel	Reflectors	
Receiver:	Diamond receiver		
Prepared for transponder:	Yes		
Loading quantities (Pcs / Approximate amount)			
On request			
Labelling			
On the lid, on the body			



*1 All specifications quoted are subject to change. Craemer reserve the right to make changes to product design and specification.

*2 Extra equipment, accessories, as well as other colors are available at extra cost and on request.