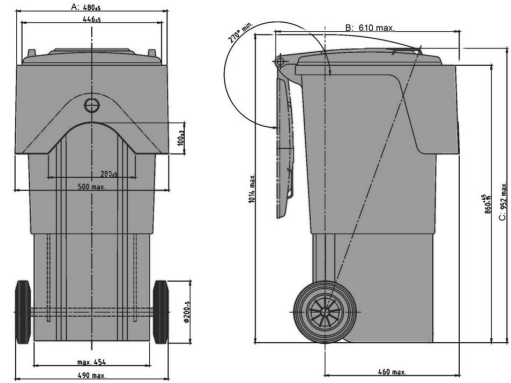




DU Container

80 l



Technical data

Volume (l)	80
Material Body / Material Lid	HDPE / HDPE
Holding Capacity (kg)	 40
Available colours	grau, green, braun, blue, yellow, red

Characteristics

Container corresponds to:	DIN 30760, Directive 2000/14/EG
Travelling gear:	Wheel Ø 200 (DU360: 250), rubber-tired wheels, wheel axle from tempered, galvanized steel
Receiver:	Diamond receiver
Prepared for transponder:	Yes

Extra equipment / Accessories

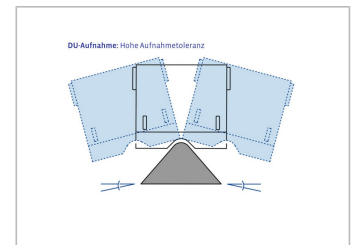
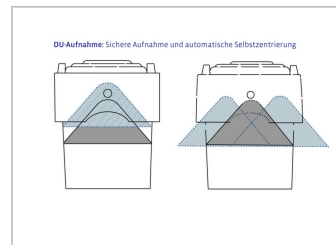
Automatic lock
Reflectors

Loading quantities (Pcs / Approximate amount)

On request

Labelling

On the lid, on the body



*1 All specifications quoted are subject to change. Craemer reserve the right to make changes to product design and specification.

*2 Extra equipment, accessories, as well as other colors are available at extra cost and on request.