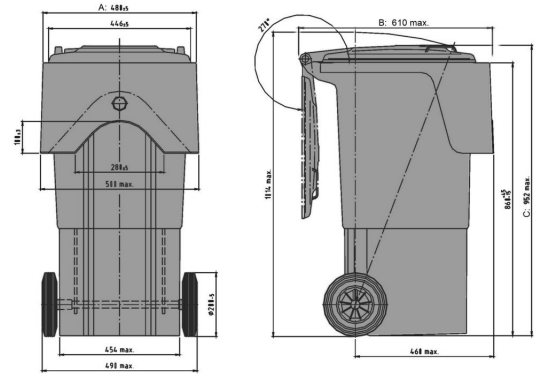

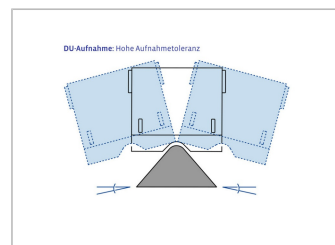
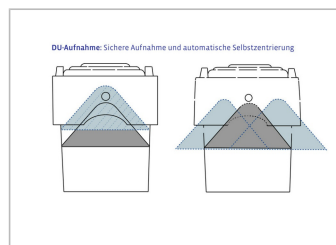




## DU Container 60 l



| Technical data                                |   |                               |             |
|---|---|-------------------------------|-------------|
| External Dimensions L x W x H (mm)            | A: 480 ±5   | B: 610 max.                   | C: 952 max. |
| Volume (l)                                    | 60  |                               |             |
| Material Body / Material Lid                  | HDPE / HDPE   |                               |             |
| Holding Capacity (kg)                         |  40    |                               |             |
| Available colours                             | grau, green, braun, blue, yellow, red   |                               |             |
| Characteristics                               |   | Extra equipment / Accessories |             |
| Container corresponds to:                     | DIN 30760, Directive 2000/14/EG   | Automatic lock                |             |
| Travelling gear:                              | Wheel Ø 200 (DU360: 250), rubber-tired wheels, wheel axle from tempered, galvanized steel | Reflectors                    |             |
| Receiver:                                     | Diamond receiver  |                               |             |
| Prepared for transponder:                     | Yes   |                               |             |
| Loading quantities (Pcs / Approximate amount) |   |                               |             |
| On request                                    |   |                               |             |
| Labelling                                     |   |                               |             |
| On the lid, on the body                       |   |                               |             |



\*1 All specifications quoted are subject to change. Craemer reserve the right to make changes to product design and specification.

\*2 Extra equipment, accessories, as well as other colors are available at extra cost and on request.