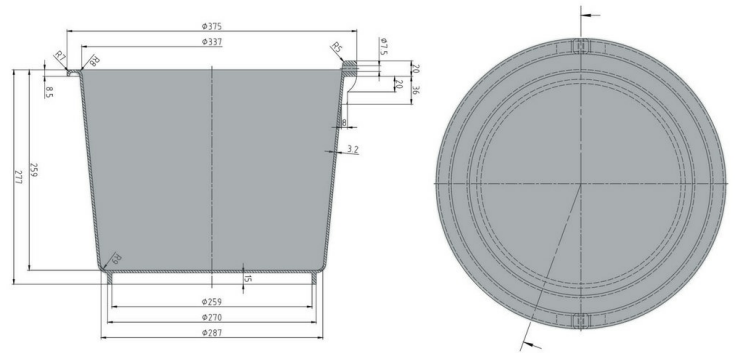




Bucket

20 l



Art. no. 90000433

Technical data	
External Dimensions L x W x H (mm)	Ø 380 (top) x 280
Internal Dimensions L x W x H (mm)	Ø 337 (top) x 255
Weight (kg)	1.3
Volume (l)	20
Material	PE
Load capacity (kg)	<div style="display: flex; justify-content: space-around;"> <div style="text-align: center;"> Holding Capacity 20 </div> <div style="text-align: center;"> Extra Load - </div> </div>
Stacking height (mm)	<div style="display: flex; justify-content: space-around;"> <div style="text-align: center;"> When nested 45 </div> <div style="text-align: center;"> When stacked - </div> </div>
Characteristics	Options
Colour: black Round, with steel handles Nestable For temperatures ranging from -30 °C to +40 °C, briefly up to +90 °C Resistant to most chemicals and cleaning agents	-
Loading quantities (Pcs / Approximate amount)	
On request	
Labelling	
Customised printing and numbering available on request depending on quantity. Position upon consultation.	

*1 All technical data include characteristic features, which have been tested under specially defined conditions. Varying data may result from different conditions of usage such as loading method, prevailing temperature and length of storage time. All data and specified information are subject to change without notice. Our service team is pleased to be at your disposal to check the special requirements of your individual application.