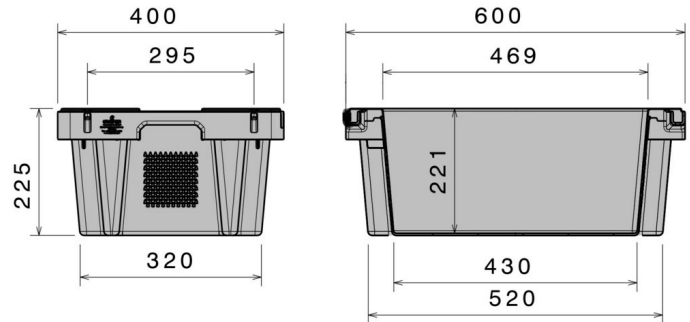




Stack & Nest Box

30 kg / 32 l



Art. no. 83861810

Technical data

External Dimensions L x W x H (mm)	600 x 400 x 225	
Internal Dimensions L x W x H (mm)	469 x 354 x 221	
Weight (kg)	2.1	
Volume (l)	32 l	
Material	PE	
Load capacity (kg)	 Holding Capacity 30 kg	 Extra Load 300
Stacking height (mm)	 When nested 50	 When stacked 205

Characteristics

Colour: light grey
 Nestable, stackable
 For temperatures ranging from -30 °C to +40 °C, briefly up to +90 °C
 Resistant to most chemicals and cleaning agents
 Food-safe. HACCP compliant

Options

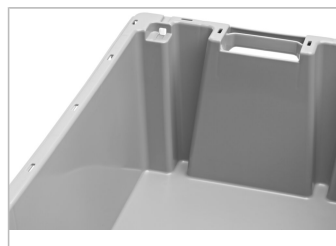
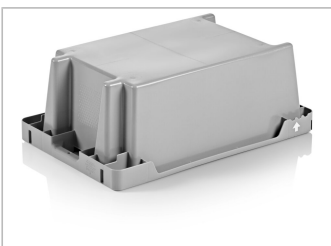
Lid
 Base perforation
 Transponder (RFID)

Loading quantities (Pcs / Approximate amount)

On request

Labelling

Customised printing and numbering available on request depending on quantity. Position upon consultation.



*1 All technical data include characteristic features, which have been tested under specially defined conditions. Varying data may result from different conditions of usage such as loading method, prevailing temperature and length of storage time. All data and specified information are subject to change without notice. Our service team is pleased to be at your disposal to check the special requirements of your individual application.